

Tuf-dek™ 12" Panel System

Price List

All items are pultruded fiber reinforced polymer and available upon request in standard resin series:
Isophthalic Polyester (I) – Isophthalic Polyester Fire Retardant (IFR) – Vinyl ester Fire Retardant (VFR)

Notes: 1) Non-stocked item.

2) IFR and VFR Resin Series are Class I Flame Rating 25 or less per ASTM E-84 and self extinguishing per ASTM D-635.

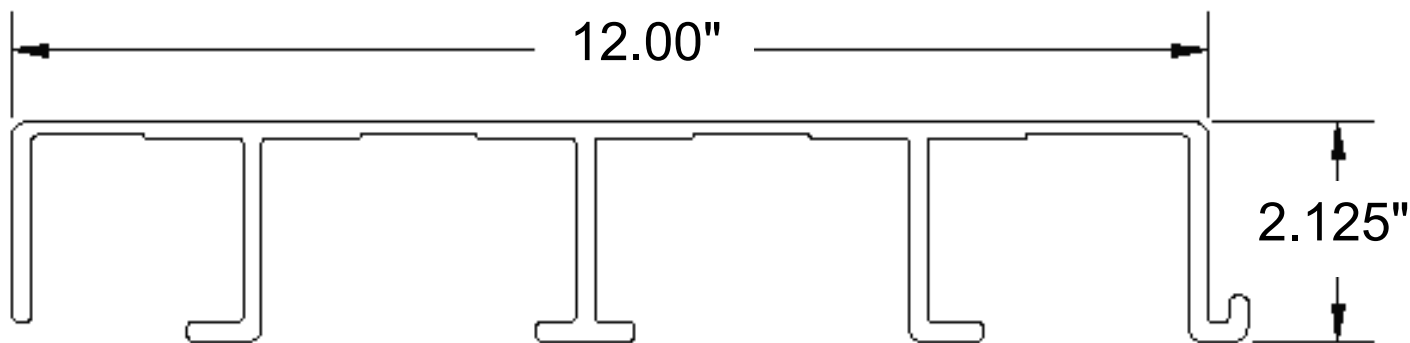
Grating & Panel

Part Number	Resin Series	List Price/ Linear Ft.	Lbs./Linear Ft.	Color
GR303 - SHG (I)	1500	\$19.23	3.16	Light Gray
GR303 - SHG (IFR)	1525	20.59	3.16	Light Gray
GR303 - SHG (VFR)	1625	24.10	3.16	Light Gray

Notes: 1) Above pricing reflects non-skid surface.

For panel without non-skid surface, deduct \$0.75/ft. from discounted pricing.

2) Non-stocked item; minimum order quantity is 2,000 linear ft. for all resin types and colors.



Width: 12"

Height: 2.125"

Flange/Leg Thickness: .188"



CREATIVE PULTRUSIONS, INC.

214 Industrial Lane ■ Alum Bank, PA 15521

Phone: 814-839-4186 ■ Fax: 814-839-4276

Toll Free 888-CPI-PULL (274-7855)

Web site: <http://www.creativepultrusions.com> ■ E-mail: crpul@pultrude.com

General Information

Terms

Net 30 Days
FOB Factory

Delivery

Standard Panel:

- 1 – 25 panels – 5 to 10 working days
- 26 – 50 panels – 10 to 20 working days
- Over 50 panels – Consult Creative Pultrusions, Inc.

Fabricated Panel:*

- 1 – 25 panels – 10 to 15 working days
- 26 – 50 panels – 15 to 25 working days
- Over 50 panels – Consult Creative Pultrusions, Inc.

*Subject to change upon receipt of detailed fabrication drawings.

Drop Shipment Charge

Drop Shipment Charge: \$50.00

Minimum Order/Handling Charge

Less Than 10 Panels: \$50.00 Handling Charge
Less Than 5 Panels: \$100.00 Handling Charge

Cutting Charges

Minimum Cutting Charge: \$25.00
Straight Cuts: \$1.50/Linear Ft.
Diagonal/Circular Cuts: \$2.50/Linear Ft.
Price includes sealing of cut edges.
(Customer will be charged for full panel.)

Custom Color Charge

Color Charge: \$750.00 per match

Flowgrip® and Pultex® are registered trademarks of Creative Pultrusions, Inc. Creative Pultrusions™, Shaping the Future™, Superstud™, Superstud™/Nuts!, Superstik™, SUPURTUF™, Superplank™, Superdeck™, Supergrate™, Tuf-dek™, SuperLoc™, SuperWale™, SuperCap™, SuperRod™, Pultrusion Dynamics™, DYNAPUL™, Pulshaping™, TOPSCAN™ and TOPDIE™ are trademarks of Creative Pultrusions, Inc.

CPS021-1199.3K (DLR: 4/9/09)