

SUPERPLANK™ / FLOWGRIP®

Superplank® & Flowgrip® products are both pultruded as a single profile in which the top surface and legs are integral to the part. The constant cross section flooring panels offer a unique tongue and groove joint that allows the panels to mechanically lock eliminating vertical movement. This unique feature reduces the number of fasteners and eliminates trip hazards that plague other flooring products without the interlock feature.

The deck sections are available in 19" and 24" wide panels with or without perforations. Typical open areas are 12% open.

FEATURES AND BENEFITS /

- Unique tongue and groove interlock increases the speed of installation.
- The 19" and 24" width of the panels increase the speed of installation and reduces hardware cost.
- The solid top panel eliminates the possibility of debris or tools falling through the flooring.
- The solid surface panels can be used for odor control covers.
- The optional open top panel allows for water egress when your design requires it.
- ADA compliant with slot open in widths of ½" (13mm) or less.
- The panel is available with a highly durable antiskid wearing surface for enhanced safety.
- The lightweight panels are very strong and corrosion resistant.



LEFT: PHOTO COURTESY OF PRECISION FIBRE STRUCTURES
CENTER: PHOTO COURTESY OF CLEVELAND BRIDGE

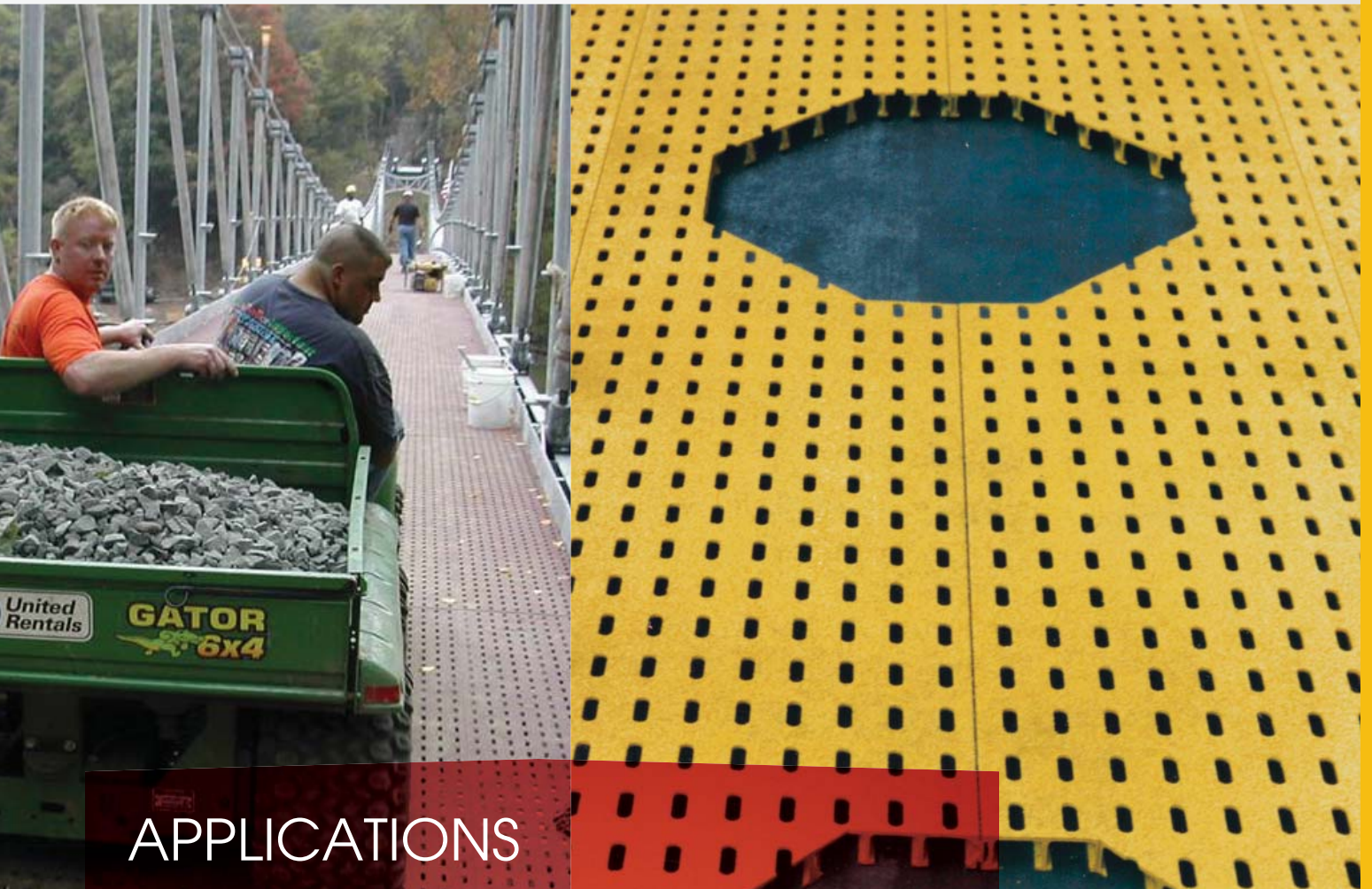
ANTISKID INFORMATION /

Creative uses a low-VOC, elastomeric acrylic polymer antiskid specially formulated for pedestrian traffic. It yields a sealed and weather-resistant anti-slip surface that meets the requirements of the ADA. Coefficient of Friction Dry 1.3, Wet 0.9. (ADA min requirement = .6).

COLOR /

Manufactured in light gray

Note: Special resins, colors and lengths available, contact factory at 888-CPI-PULL.

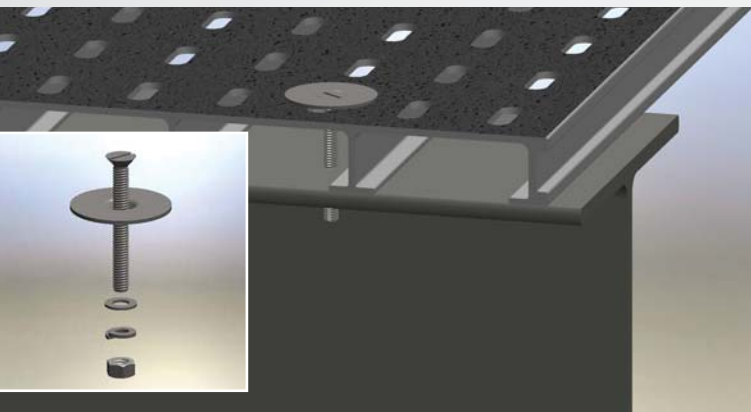


APPLICATIONS

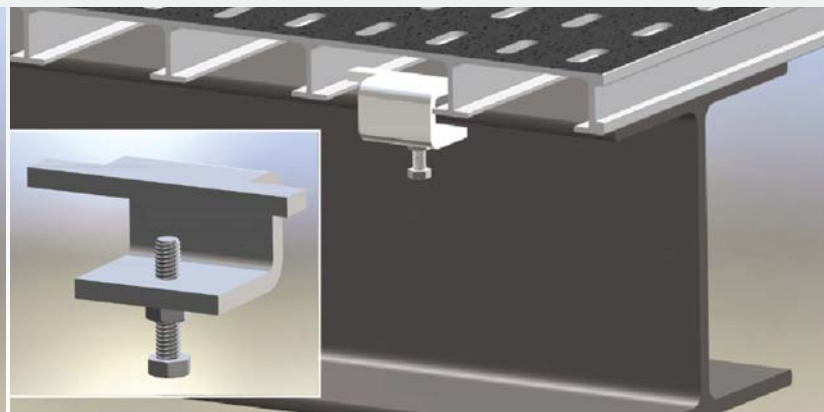
- ADA COMPLIANT RAMP DECKING
- DECKING FOR WALKWAYS + PLATFORMS
- MARINA DOCK DECKING
- COOLING TOWER DECKING
- PEDESTRIAN BRIDGE DECKS
- TRENCH COVERS
- ODOR CONTROL COVERS
- SIDEWALKS
- BAFFLE WALLS
- SCAFFOLDING PLANKS
- TRAILER FLOORING
- CLEAN ROOM FLOORS
- INDUSTRIAL SHOWER FLOORS
- BALCONY DECKING
- ROOF TOP MAINTENANCE ACCESS DECKING

SuperPlank™ and Flowgrip® /

SUPERPLANK™ / HOLD DOWN OPTIONS



CLK018 Top Surface Mount Assembly

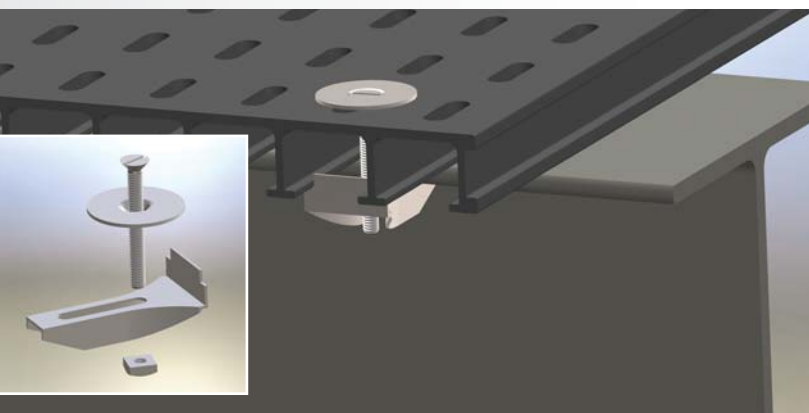


CLK020 Heavy Duty Beam Clip Assembly

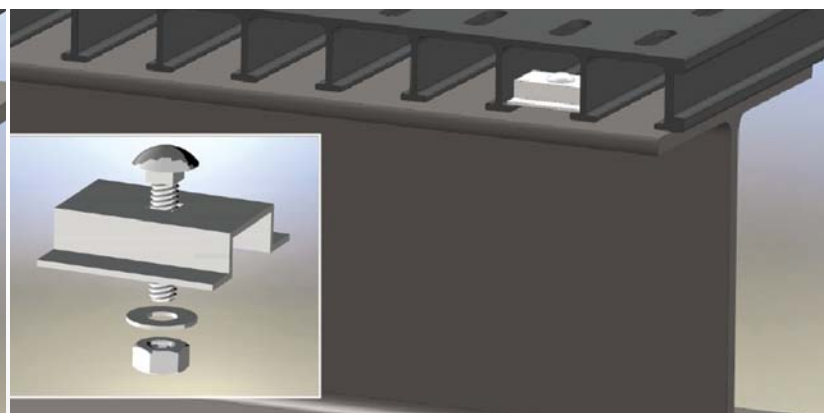
| SuperPlank™ Hardware | | |
|---|---------------------|-----------------|
| Item | Clip Part Number | Kit Part Number |
| Top Surface Mount Assembly Kit ¹ | CLP004 ² | CLK018 |
| Heavy Duty Beam Clip Kit ³ | CLP034 | CLK020 |

¹ Kit includes one each of the bolt, nut, flat washer, lock washer and top washer (CLP004). A 3/4" hole is required for the CLP004 to sit flat on the panel surface.
² Kit includes one each of the clip, bolt, and nut.
³ All hold-down components are 316SS.

FLOWGRIP® / HOLD DOWN OPTIONS



CLK001 Top Clip Assembly

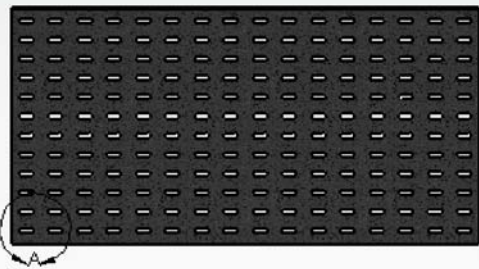


CLK014 Hidden Hold Down Clip Assembly

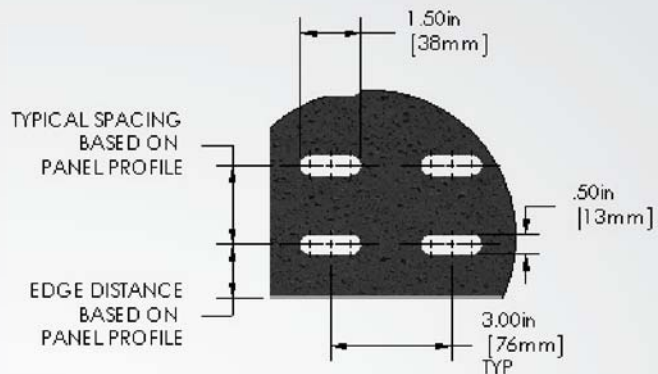
| Flowgrip® Hardware | | |
|--|------------------|-----------------|
| Item | Clip Part Number | Kit Part Number |
| Top Clip Assembly Kit ¹ | CLP001 | CLK001 |
| Hidden Hold Down Clip Kit ² | CLP026 | CLK014 |

¹ Kit includes one each of the clip, bolt, nut, and top washer (CLP004). A 3/4" hole is required for the CLP004 to sit flat on the panel surface.
² Kit includes one each of the clip, bolt, nut, and flat washer.
³ All hold-down components are 316SS

12% OPEN TOP OPTION

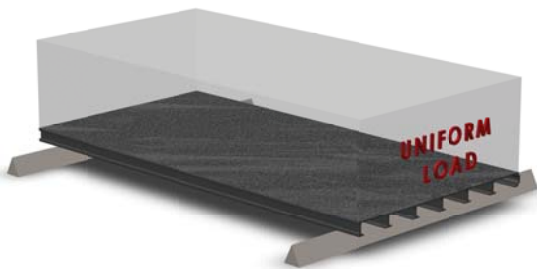


The slot patterns are ADA compliant and are precision milled into the panel. Custom slots available upon request.

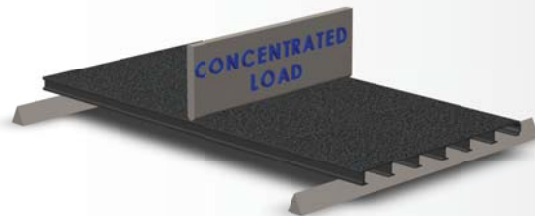


Detail A - Typical slot fabrication

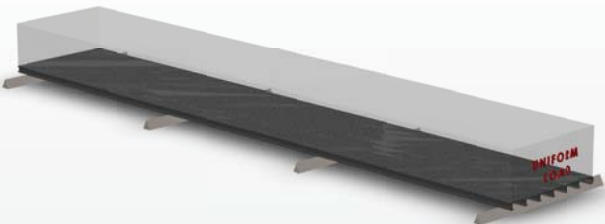
TYPICAL LOAD SCENARIO DEPICTED IN LOAD CHARTS



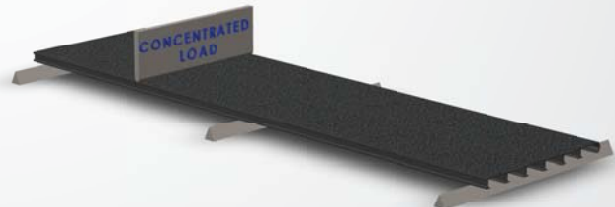
Uniform load in lbs/ft² or kN/m² equally distributed over a single span deck.



A concentrated load in lbs/ft width of panel or kN/m width of panel concentrated over the mid span of a simple supported deck.



Uniform load in lbs/sqft or kN/m² equally distributed over a multiple spanning deck.



A concentrated load in lbs/ft width of panel or kN/m width of panel concentrated over the mid span of one span of a multiple spanning deck.